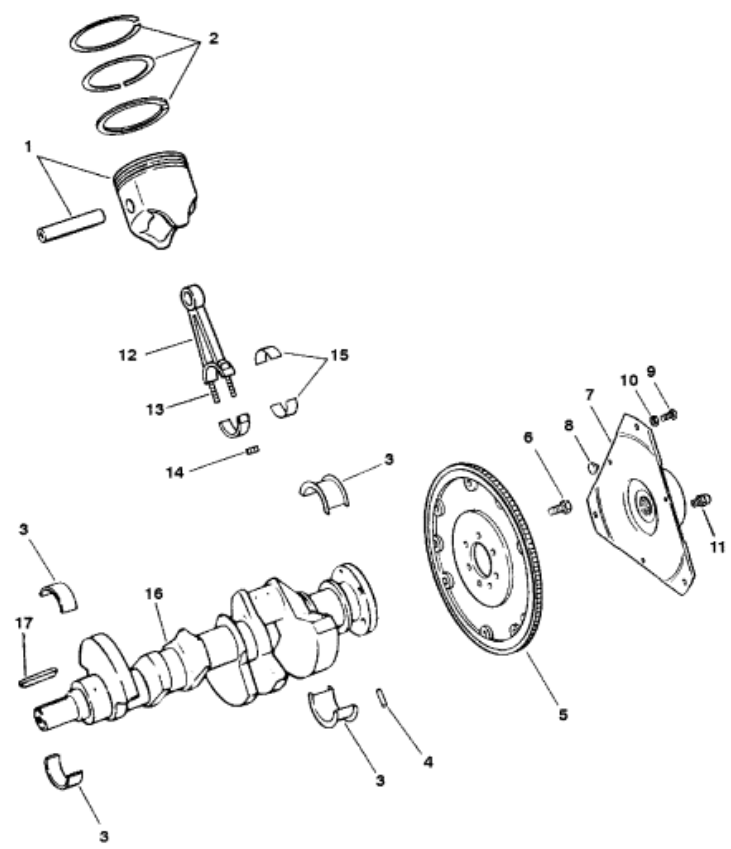


Parts List



| Ref | Class | Part      | Description                | Qty | Comment                       | Footnote |
|-----|-------|-----------|----------------------------|-----|-------------------------------|----------|
| 1   | 735   | 835001T   | PISTON AND PISTON PIN      | 6   | (STANDARD)                    |          |
| 1   | 735   | 835002T   | PISTON AND PISTON PIN      | AR  | (.5MM O.S.)                   | 4        |
| 2   | 39    | 801861T 1 | RING-PISTON                | 6   | (STANDARD)                    |          |
| 2   | 39    | 835000    | RING-PISTON                | AR  | (.5MM O.S.)                   | 4        |
| 3   | 23    | 818465    | MAIN BEARING SET           | 1   | (STANDARD)                    |          |
| 3   | 23    | 818466    | MAIN BEARING SET           | AR  | (.001 U.S.)                   | 4        |
| 3   | 23    | 818467    | MAIN BEARING SET           | AR  | (.010 U.S.)                   | 4        |
| 3   | 23    | 818468    | MAIN BEARING SET           | AR  | (.020 U.S.)                   | 4        |
| 4   | 17    | 43504     | PIN-DOWEL                  | 1   |                               |          |
| 5   | 222   | 824320 1  | FLYWHEEL                   | 1   | (GM BLOCK CODE 8LK, 8LJ)      |          |
| 5   | 222   | 804913    | FLYWHEEL                   | 1   | (GM BLOCK CODE 9LK, 9LJ, 0LK) |          |
| 6   | 10    | 49845     | SCREW                      | 6   |                               |          |
| 7   |       | 18643A 5  | COUPLING ASSEMBLY          | 1   |                               |          |
| 8   |       | 18644     | BUMPER-RUBBER              | 3   |                               |          |
| 9   | 10    | 14883     | SCREW (3/8-16 X 1-1/8 IN.) | 3   |                               |          |
| 10  | 12    | 13510     | WASHER                     | 3   |                               |          |
| 11  | 22    | 74036     | FITTING-GREASE             | 1   |                               |          |
| 12  | 614   | 811839T   | CONNECTING ROD             | 6   |                               |          |
| 13  | 10    | 11969     | BOLT                       | 12  |                               |          |
| 14  | 11    | 37493     | NUT                        | 12  |                               |          |
| 15  | 23    | 11992     | BEARING UNIT               | 6   | (STANDARD - PAIR)             |          |
| 15  | 23    | 11993     | BEARING UNIT               | AR  | (.001 U.S. - PAIR)            | 4        |
| 15  | 23    | 811858    | BEARING UNIT               | AR  | (.010 U.S. - PAIR)            | 4        |
| 15  | 23    | 811859    | BEARING UNIT               | AR  | (.020 U.S. - PAIR)            | 4        |
| 16  | 429   | 9517 1    | CRANKSHAFT                 | 1   | (GM BLOCK CODE 8LK, 8LJ)      |          |
| 16  | 429   | 804911    | CRANKSHAFT                 | 1   | (GM BLOCK CODE 9LK, 9LJ, 0LK) |          |
| 17  | 28    | 818485 1  | KEY                        | 1   |                               |          |